

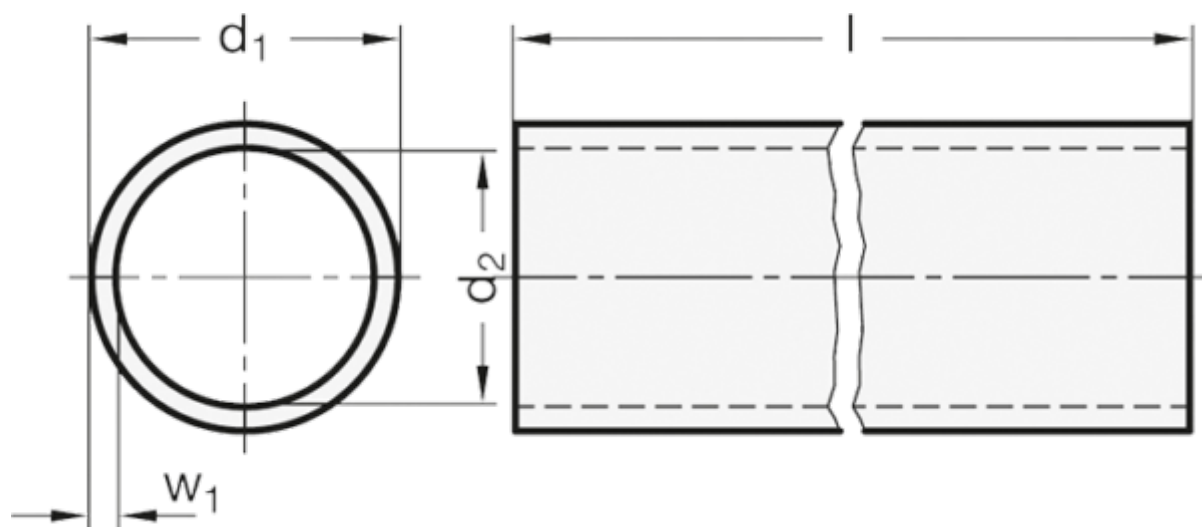
# Data Sheet



Article number: 20990ALD25200EL

Description: E+G GN 990 Construction tube round  
GN 990-AL-D25-200-EL

## Measures



$d_1$  = D25 +0.1/-0.2

$d_2$  = 21

$l \pm 0.5$  = 200

$w_1$  = 2

Weight in (g) = 44